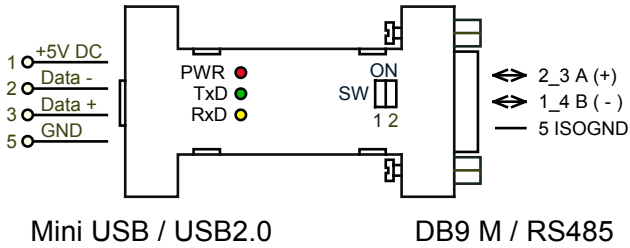


LAYOUT



Mini USB / USB2.0

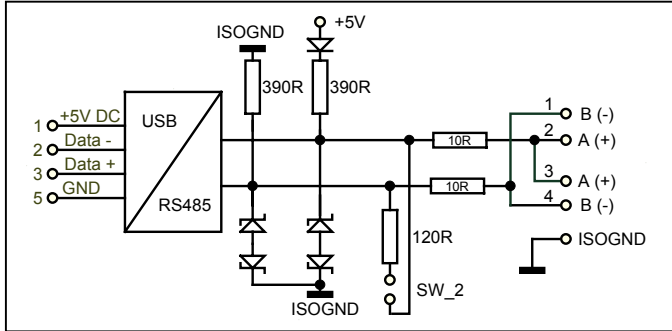
DB9 M / RS485



SW

- 1 – OFF receiver permanent
- 1 – ON receiver control inverse to transmitter
- 2 – OFF terminator disconnected
- 2 – ON terminator connected

RS485 LINE CONFIGURATION



CONDITIONS OF WARRANTY

ComErgon Ltd. provides full warranty of 24 month for serial interface module MINI 5.6/485 starting on the day of purchase.

The warranty is except for the cases in which the functioning of the module has been affected by faulty manipulation, natural catastrophes or other external factors.



COMERGON

MINI serie

MINI 5.6/485

isolated

USB - RS 485

TECHNICAL DATA

compatibility supported OS

USB 1.1, USB 2.0
WIN 98, 98SE, VISTA, ME, 2000, XP, CE, Server 2003, Linux, MAC OS
RS485 - half duplex permanent or inverse to transmitter

transfer mode selectable receiver control

max. transfer rate supported signals max. recommended line length RS485

230 kb/s
RxD, TxD
1 200 m

isolation selectable terminator connector USB

1 kV
120 R

connector RS485 optical indication

mini USB 5pin
D-SUB 9 pin M
RxD, TxD, PWR

overvoltage (soft) protection RS485

300W 8/20µs
from USB (+5V DC)

supply voltage

max 1W

dimension

63 x 17 x 34 mm

COMERGON

spol. s r.o.

Cachticka 23, 831 06 Bratislava
Slovak Republic

tel.: +421-2- 4488 9090
tel./ fax.: +421-2- 4487 3525

e-mail: service@comergon.sk
http: www.comergon.sk