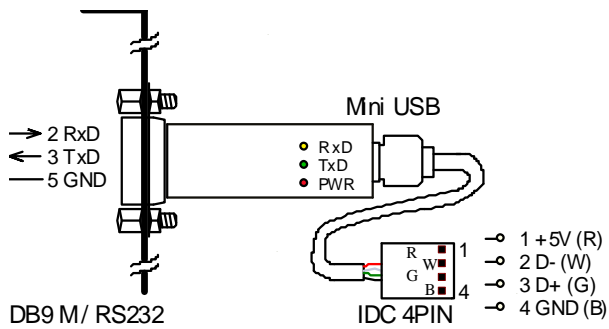


LAYOUT



NOTE

Take care about right connection IDC 4pin Header to USB on motherboard



CONDITIONS OF WARRANTY

ComErgon Ltd. provides full warranty of 24 month for serial interface module MINI 5.1/232_PC starting on the day of purchase.

The warranty is except for the cases in which the functioning of the module has been affected by faulty manipulation, natural catastrophes or other external factors.

COMERGON

PC card serie

MINI 5.1/232_PC

isolated converter

USB - RS 232

TECHNICAL DATA

**compatibility
supported OS**

USB 1.1, USB 2.0
Linux, MAC OS,
XP, ME, 2000, VISTA,
Server 2003, CE,
WIN7, WIN8, WIN8.1

**transfer mode
max. transfer rate
supported signals**

RS232
256 kb/s
Rx/D, Tx/D

**isolation
max. recommended line length RS232
connector USB**

1 kV
15 m
mini USB 5pin

**connector RS232
optical indication
supply voltage
supply**

USB IDC Header
D-SUB 9 pin M
Rx/D, Tx/D, PWR
from USB (+5V DC)
max . 1W

COMERGON spol. s r.o.

Cachticka 23, 831 06 Bratislava
Slovak Republic

tel./ fax.: +421-2- 4488 9090

e-mail: service@comergon.sk
<http://www.comergon.sk>