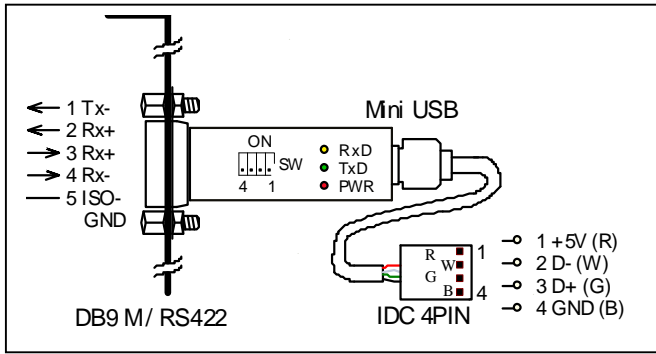


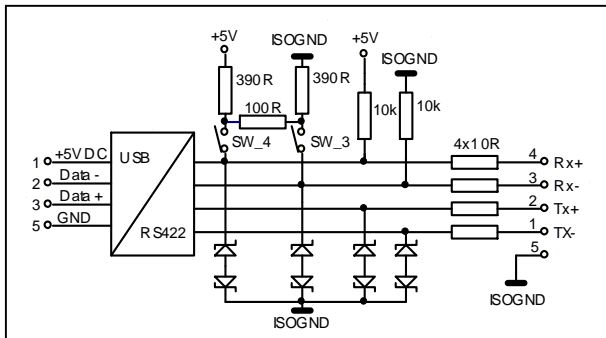
LAYOUT



NOTE

Take care about right connection IDC 4pin Header to USB on motherboard

SW 1 OFF* receiver permanent
1 ON receiver control inverse to transmitter
3_4 OFF w/o terminator + pull up, down
3_4 ON* terminator + pull up, down
 * standard setting



CONDITIONS OF WARRANTY



ComErgon Ltd. provides full warranty of 24 month for serial interface module MINI 5.4/422_PC starting on the day of purchase. The warranty is except for the cases in which the functioning of the module has been affected by faulty manipulation, natural catastrophes or other external factors.



PC card serie

MINI 5.4/422_PC

isolated
USB – RS422

TECHNICAL DATA

compatibility supported OS

USB 1.1, USB 2.0
 Linux, MAC OS,
 XP, ME, 2000, VISTA,
 Server 2003, CE,
 WIN7, WIN8, WIN8.1

transfer mode

RS422 - full duplex

max. transfer rate supported signals

500 kb/s
 RxD, TxD

max. recommended line length RS422

1 200 m

isolation

2,5 kV

selectable terminator

100 R

connector USB

mini USB 5pin
 USB IDC Header

connector RS422

D-SUB 9 pin M

optical indication

RxD, TxD, PWR

overvoltage (soft) protection RS422

300W 8/20µs

supply

max. 1W



spol. s r.o.

Cachticka 23, 831 06 Bratislava
 Slovak Republic

tel./ fax.: +421-2- 4488 9090

e-mail: service@comergon.sk
 http: www.comergon.sk