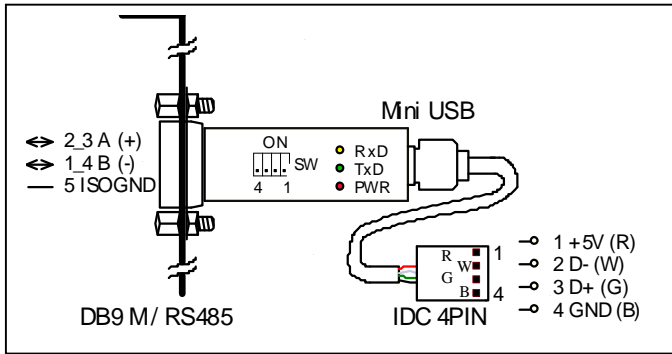


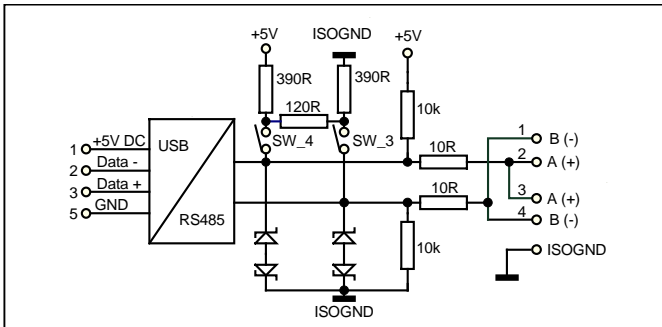
## LAYOUT



### NOTE

Take care about right connection IDC 4pin Header to USB on motherboard

**SW 1 OFF** receiver permanent  
**1 ON\*** receiver control inverse to transmitter  
**3\_4 OFF** w/o terminator + pull up, down  
**3\_4 ON\*** terminator + pull up, down  
 \* standard setting



## CONDITIONS OF WARRANTY



ComErgon Ltd. provides full warranty of 24 month for serial interface module MINI 5.6/485\_PC starting on the day of purchase. The warranty is except for the cases in which the functioning of the module has been affected by faulty manipulation, natural catastrophes or other external factors.

**COMERGON**

PC card serie

**MINI 5.6/485\_PC**

isolated

**USB - RS 485**

## TECHNICAL DATA

compatibility supported OS

USB 1.1, USB 2.0  
 Linux, MAC OS,  
 XP, ME, 2000, VISTA,  
 Server 2003, CE,  
 WIN7, WIN8, WIN8.1

transfer mode nodes RS485  
 selectable receiver control

RS485 - half duplex  
 256  
 permanent or  
 inverse to transmitter

max. transfer rate supported signals  
 max. recommended line length RS485

500 kb/s  
 RxD, TxD

isolation selectable terminator  
 connector USB

1 200 m  
 2,5 kV

connector RS485 optical indication  
 overvoltage (soft) protection RS485  
 supply voltage supply

120 R  
 mini USB 5pin  
 USB IDC Header  
 D-SUB 9 pin M  
 RxD, TxD, PWR  
 300W 8/20µs  
 from USB (+5V DC)  
 max 1W

**COMERGON** Ltd.

phone / fax: +421-2- 4488 9090

Cachticka 23, 831 06 Bratislava  
 Slovak Republic

e-mail: service@comergon.sk  
 http: www.comergon.sk