

TECHNICAL DATA

ethernet module protocol	K3 USR TCP, IP, UDP, ARP, ICMP, DNS, DHCP HTTP, Web socket, HTTPD client, MODBUS
network interface serial port	10/100 Mb/s, MDI/MDIX, auto switch RS 485 - half duplex RS 422 - full duplex
isolation receiver control	2,5 kV (RS485/RS422) by signal TxD permanent
transmitter control data bit stop bit parity transfer rate transferred signals setting	Tx enable (set by SW) 5, 6, 7, 8 1, 2 None, Even, Odd, Space, Mark 600b/s – 512kb/s RxD, TxD internal web server, PC built-in SW, serial command
optical indication	RxD, TxD, Tx enable, Link activity, half duplex, full duplex, PWR
connector RS422/RS485	D-SUB 9 pin M
connector Ethernet	RJ45
connector supply	plug 1.3mm
supply	5 - 32V DC
input supply	max 2W
dimension	95 x 57 x 28 mm



ver. 1.5, rev 01/2016

CONDITIONS OF WARRANTY

ComErgon provides full warranty of 24 month for serial interface module PRO 4.0/485 starting on the day of purchase. The warranty is except for the cases in which the functioning of the module has been affected by faulty manipulation, natural catastrophes or other external factors.

PRO serie

PRO 4.0/485 K3

isolated converter

RS422/RS485 - Ethernet



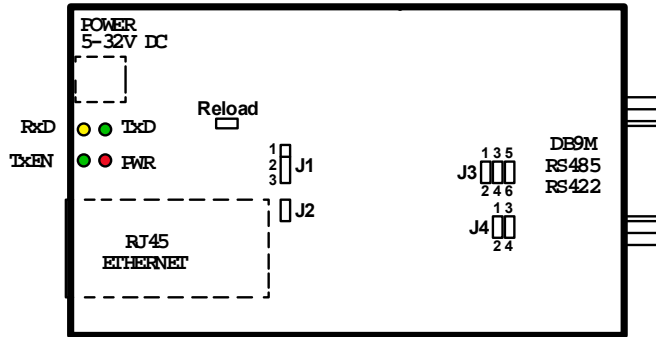
spol. s r.o.

Cachticka 23, 831 06 Bratislava
Slovak Republic

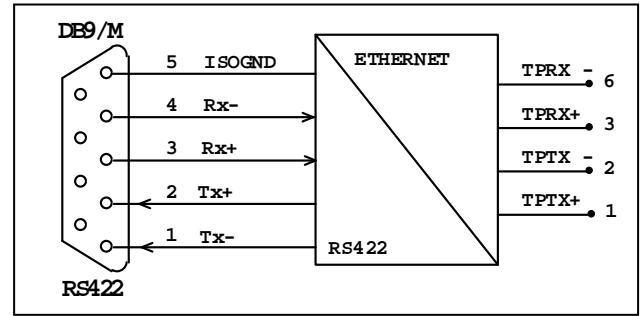
tel.: +421- 950 535 250

e-mail: service@comergon.sk
http: www.comergon.sk

LAYOUT



mode RS422 (J1 1_2, J4 OFF, J2 OFF)



SETTING (* standard setting)

J1 transmitter control

- 1_2 permanent ON (mode RS422)
- 2_3 controlled by TxENable (mode RS485) *

J2 receiver control

- OFF permanent ON
- ON inverse to TxD *

J3 link

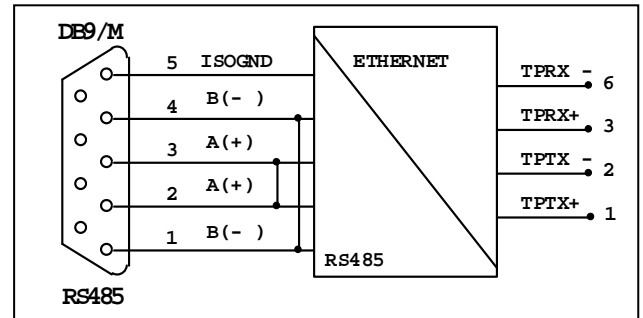
- 1_2 120R *
- 3_4 pull up *
- 5_6 pull down *

J4 mode selection - RS422/RS485

- OFF RS422
- 1_2, 3_4 RS485 *

+ set mode (RS485 or RS422) by setting SW of K3 module

mode RS485 (J1 2_3, J2 ON, J4 1_2, 3_4) *



RELOAD – default configuration IP: 192.168.0.7

name: admin, password: admin

- Postup:
- 1/ disconnect power supply
 - 2/ set jumper Reload
 - 3/ connect power supply and wait 10s
 - 4/ **!!! disconnect jumper Reload !!!**