

TECHNICAL PARAMETERS

max. transfer rate	115 kb/s
max. line length	1 700 m / 62.5um
supported signals	RxD, TxD, RTS, CTS, DTR, DSR, DCD
selectable RS232 signal connecting	DCE/DTE
transfer mode - serial	asynchron, full duplex
transfer mode - FO	time multiplex
connector RS232	RJ45
connector fiber optic	ST (SMA, SC, FC)
overvoltage (soft) protection - supply	600W/1ms
optical indication (LED) – DTE, DCE	red PWR yellow RxD green TxD
power supply	100 -240V AC
power consumption	max 25 W (12 channel)
dimension (l x h x b)	480 x 44 x 270 mm

CONDITIONS OF WARRANTY

ComErgon Ltd. provides full warranty of 24 month for serial interface module MULTI starting on the day of purchase.

The warranty is except for the cases in which the functioning of the module has been affected by faulty manipulation, natural catastrophes or other external factors.



MULTI 12

ver. 7.1

interface converter

RS 232 ↔ Fiber Optic

supports RxD, TxD, RTS, CTS, DTR, DSR, DCD

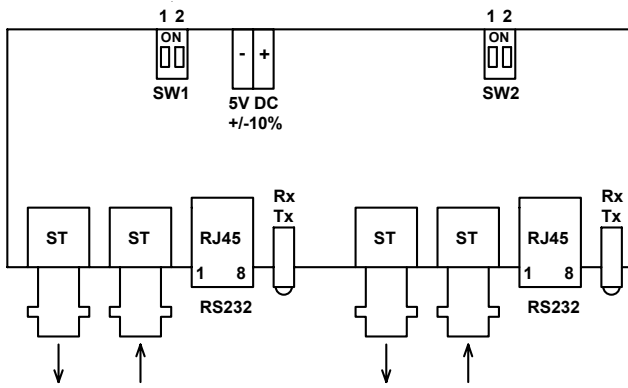


tel.: +421-2- 4445 8783
tel./ fax.: +421-2- 4425 9006

Pionierska 15, 831 02 Bratislava
Slovak Republic

e-mail: service@comergon.sk
http: www.comergon.sk

SWITCH AND CONNECTOR LAYOUT



STANDARD SETTING

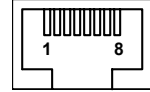
Signal connecting

DTE

SETTING OF OPERATING MODES - SW1

SW1	MODE
1,2 – OFF	DCE
1,2 – ON	DTE

RS232 – connector RJ45



signal \ mode	DTE	DCE
1 - RxD	IN	OUT
2 - TxD	OUT	IN
3 - CTS	IN	OUT
4 - RTS	OUT	IN
5 - DSR	IN	OUT
6 - DTR	OUT	IN
7 - DCD	IN	OUT
8 - GND	-	-