

**TECHNICAL DATA**

max. transfer rate	5 Mb/s
max. FO line length	1 700 m/ 62,5µm/ST
connector FO	ST (SMA, SC, FC)
connector RS422/485	RJ45
RS422/RS485 isolation	1 kV
selectable terminator	120 Ohm
transfer mode	half duplex – RS485 full duplex – RS422 „controlled RS422“ „4-wire RS485“
number of channels	max 12
power supply	100 - 230V AC
power consumption	max 15 W
overvoltage (soft) protection RS422/485	600W/1ms
overvoltage (soft) protection supply	600W/1ms
optical indication (LED)	red PWR yellow RxD green TxD
dimension - 1U	480 x 44 x 270mm

**MULTI 7.1/485**

up to 12 channel

**RS 422/485 ↔ Fiber Optic****CONDITIONS OF WARRANTY**

ComErgon Ltd. provides full warranty of 24 month for serial interface module MULTI starting on the day of purchase.

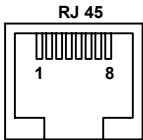
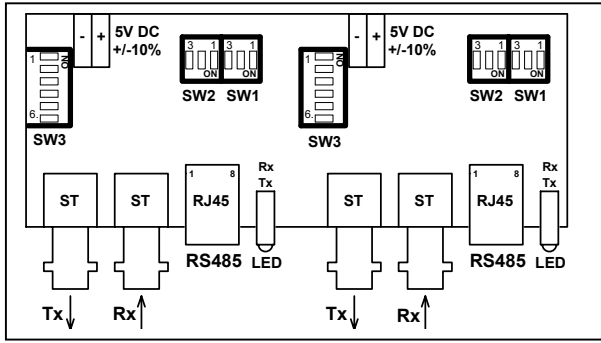
The warranty is except for the cases in which the functioning of the module has been affected by faulty manipulation, natural catastrophes or other external factors.



Cachticka 23  
831 06 Bratislava  
Slovak Republic

tel.: +421-2-4488 9090  
tel / fax.: +421-2-4487 3525  
e-mail: [service@comergon.sk](mailto:service@comergon.sk)  
[http: www.comergon.sk](http://www.comergon.sk)

## LAYOUT



RJ45	RS422	RS485
3	Tx -	
4	Rx -	B
5	Rx+	A
6	Tx+	
7	ISOGND	ISOGND

## STANDARD SETTING

mode of transfer  
 enable transmitter control RS485/422  
 transmitter control  
 transmission to fiber optic  
 terminator  
 receiver fiber optic  
 transmitter fiber optic  
 hold line (pull-up, down)

**RS485 – half duplex**  
**enable**  
**by signal TxD**  
**without echo**  
**120 Ω**  
**normal**  
**normal**  
**connected**

## MODE SETTING

	POSITION	MODE	FUNCTION
<b>SW1</b>	<b>1 OFF</b>	RS485 & RS422 terminator	-
	<b>1 ON</b>	for receiver	120 Ohm
	<b>2 OFF</b>	hold line for receiver -	disconnected
	<b>2 ON</b>	- pull up	connected
	<b>3 OFF</b>	hold line for receiver -	disconnected
	<b>3 ON</b>	- pull down	connected
<b>SW2</b>	<b>1 OFF</b>	RS422 - terminator	-
	<b>1 ON</b>	for transmitter	120 Ohm
	<b>2 OFF</b>	hold line for transmitter -	disconnected
	<b>2 ON</b>	- pull up – only RS422	connected
	<b>3 OFF</b>	hold line for transmitter -	disconnected
	<b>3 ON</b>	- pull down – only RS422	connected
<b>SW3</b>	<b>1 OFF</b>	enable transmitter control	enable
	<b>1 ON</b>	for RS485/422	third state
	<b>2 OFF</b>	RS422 - full duplex *	<b>mode RS422</b>
	<b>2 ON</b>	RS485 - half	<b>mode RS485</b>
	<b>3 OFF</b>	transmitter control	by signal TxD
	<b>3 ON</b>		permanent
	<b>4 OFF</b>	transmission to fiber optic	permanent+echo
	<b>4 ON</b>		without echo
	<b>5 OFF</b>	receiver fiber optic	normal
	<b>5 ON</b>		invert
	<b>6 OFF</b>	transmitter fiber optic	normal
	<b>6 ON</b>		invert

\* for mode RS422 full duplex set SW3 position 4 to OFF