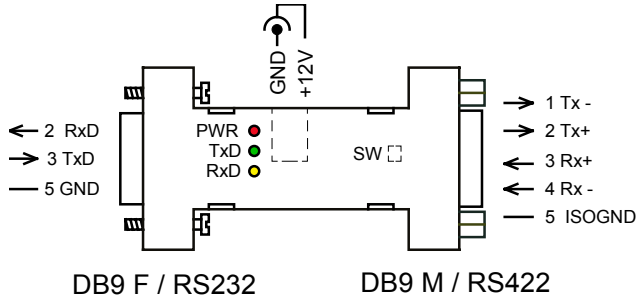
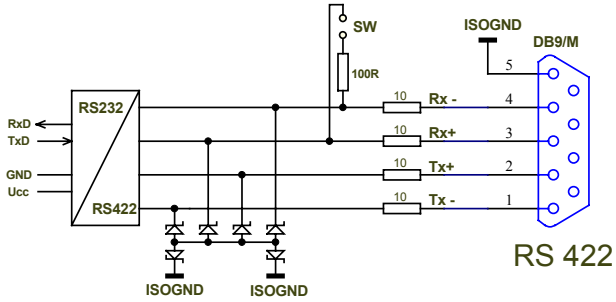


LAYOUT



SW **OFF** - terminator disconnected
 ON - terminator connected

LINE CONFIGURATION – RS422



WARRANTY CONDITIONS

ComErgon provides full warranty of 24 month for serial interface module MINI 2.4/422 starting on the day of purchase.

The warranty is except for the cases in which the functioning of the module has been affected by faulty manipulation, natural catastrophes or other external factors.



COMERGN

MINI serie

MINI 2.4/422
isolated converter
RS232 - RS422

TECHNICAL DATA

transfer mode	RS422 - full duplex
max. transfer rate	460 kb/s
supported signals	RxD, Tx D
max. recommended line length	1 200 m
galvanical isolation	1 kV
selectable terminator	100R
connector RS 232	D-SUB 9 pin F
connector RS 422	D-SUB 9 pin M
connector power supply	plug 1.3mm
optical indication	RxD, Tx D, PWR
overvoltage (soft) protection - RS422	300W/8µs
overvoltage (soft) protection - supply	600W/10µs
power supply	+12V DC ±10%
power consumption	max 1W
dimension	63 x 17 x 34 mm

COMERGN spol.s r.o

phone.: +421-2- 4488 9090
 phone./ fax.: +421-2- 4487 3525

Cachticka 23, 831 06 Bratislava
 Slovak Republic

e-mail: service@comergon.sk
 http: www.comergon.sk