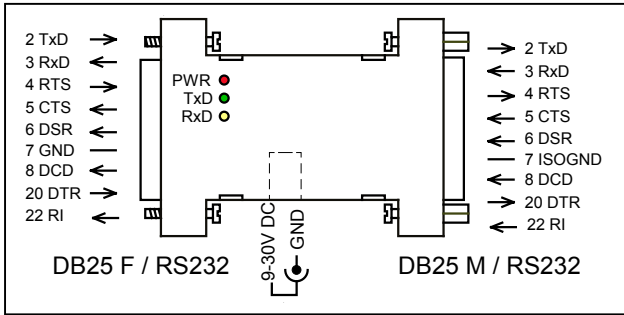


LAYOUT



TECHNICAL PARAMETERS



max. transfer rate	115 kb/s
max. recommended line length	15 m
supported signals	RxD, TxD, RTS, CTS DSR, DTR, DCD, RI
optical indication	RxD, TxD, PWR
connector RS232c – PC	D-SUB 25 pin F
connector RS232c – DEVICE	D-SUB 25 pin M
optical isolation - optocoupler	2.5 kV
galvanical isolation – DC/DC	1 kV
overvoltage protection (soft) - mains	600W/1ms
power supply	+9 to 30V DC
power consumption	max 1.2W
dimension	91 x 22 x 54 mm



tel.: +421-2- 4488 9090
tel./ fax.: +421-2- 4487 3525

Cachticka 23, 831 06 Bratislava
Slovak Republic

e-mail: service@comergon.sk
http: www.comergon.sk



MINI serie

MINI 4.0/232i
RS232c isolator
supports full RS232c

CONDITIONS OF WARRANTY

ComErgon Ltd. provides full warranty of 24 month for serial interface module MINI 4.0/232i starting on the day of purchase.

The warranty is except for the cases in which the functioning of the module has been affected by faulty manipulation, natural catastrophes or other external factors.